

PRODUCTO

BISAGRA OCULTA MODELO 501, ZAMAK Y ACETAL

► DESCRIPCIÓN

Bisagra invisible, modelo 501, para puertas de paso no solapadas y para marcos de madera. FVZ = línea de marco retrasado. Retraso de hasta 14,0 mm del plano. Grosor de puerta de 40 mm. Regulación en 3 sentidos (lateral +/- 1,5 mm, altura +/- 2,5 mm, profundidad +/- 1,0 mm). Fresado centrado. Hasta 60 kg. (2 bisagras). Material: Zamak y acetal. Medidas: 144x30 mm.

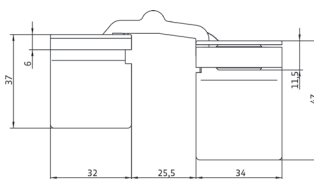
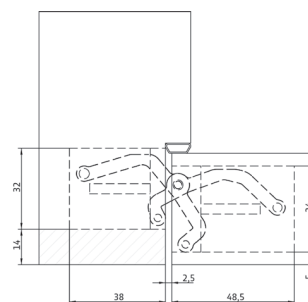
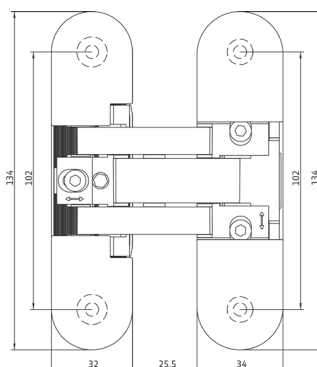
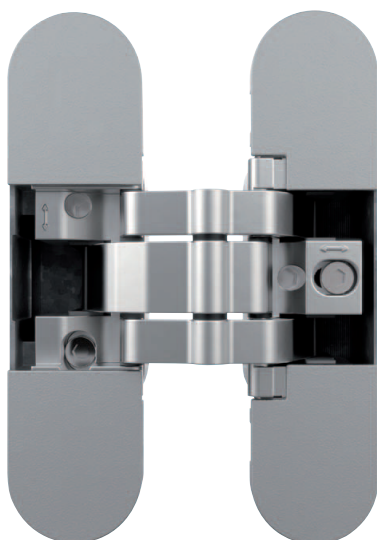
► MATERIAL

Zamak.

► ACABADO

Cromo satinado, níquel satinado, negro satinado y blanco.

IMÁGENES



OTROS DATOS

REF. AN 141 3D

MEDIDA: 134x32 mm

CÓDIGO

REFERENCIA

ACABADO

96321	AN 141 3D FVZ-14	Cromo satinado
96322	AN 141 3D FVZ-44	Níquel satinado
96323	AN 141 3D FVZ-18	Negro satinado
96324	AN 141 3D FVZ-49	Blanco

AN 141 3D FVZ 14/44


for unrebated 44 mm thick residential doors with 14 mm recessed frame facings up to 40 kg

hinge	recessed frame facings	up to 40 kg
-------	------------------------	-------------

Product features

FVZ = recessed frame facings
with recessed frame facings up to 14.0 mm
door thickness 44 mm
completely concealed hinge system
for timber frames
for unrebated residential doors
3D adjustable (side +/- 1.0 mm, height +/- 1.5 mm, compression +/- 1.0 mm)
central installation
material zamak


Technical details

load capacity	 2 hinges per door leaf (900x2100 mm)	40.0 kg
overall length		134.0 mm
width (frame)		32.0 mm
width (door)		34.0 mm
cutter diameter		14.0 or 16.0 mm
collar ring diameter		25.0 or 27.0 mm
opening angle		180°

Finish

Satin Chrome (AN 014), Coated Bronze (AN 017), Black (AN 018), Polished Brass (AN 037), Polished Chrome (AN 039), Satin Nickel (AN 044), RAL 9016 Traffic White (AN 049)

Note

 The load capacity mentioned above refers to the use of 2 hinges per door leaf (900 x 2100 mm).

Suggested screws:

Frame side: Countersunk head screws DIN 7505 A, Diameter 5 mm

Door side: Countersunk head screws DIN 7505 A, Diameter 5 mm